

Tanaka Illustrated Parts Manual

Model Number:

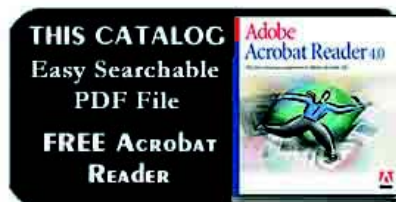
TMC-200

CULTIVATOR ATTACHMENT

P/N N/A

Rev 001

Date 03-15-00



Supplier To The Outdoor Power Equipment Industry

ISM, Inc. • 1028 4th Street SW, Ste "B" • Auburn, WA 98001 • Phone: (253) 333-1200 • Fax: (253) 333-1212

Grass Trimmer Attachments**TPS-200**

Pruning Saw Attachment

The versatile TPS-200 Pruning Saw attachment easily converts Tanaka straight shaft grass trimmers / brushcutters into a powerful pruning saw.

**TPS-200 Features:**

- 24" Shaft Provides a 98" Overall Length when mounted
- 10" Oregon® Bar & Chain
- Easy-Mount Coupler

To be used with the following Tanaka models:

- AST-7000 / 7000S / 210
- TBC-4500 / 4501 / 2211
- TBC-220 / 240
- TBC-250 / 2501 / 2510 / 265
- TBC-270PF/PN



TPS-EXT Pruning Saw **Extension** (Part # 748511) Add an **extra two feet of reach** with this pruning saw extension that will fit on both the TPS-2510 and TPS-270PN Pruning Saws. In addition, it can be added to Tanaka straight shaft grass trimmers that utilize the TPS-200 Pole Saw Attachment.

TPH-200

Pole Hedge Trimmer Attachment

For added reach and maneuverability, the TPH-200 Pole Hedge Trimmer attachment can be added to several Tanaka straight shaft grass trimmers / brushcutters.

**TPH-200 Features:**

- 22" Double Sided Cutting Blades
- Articulating / Pivoting Cutting Angle up to 130 degrees.

To be used with the following Tanaka models:

- AST-7000 / 7000S / 210
- TBC-4500 / 4501 / 2211
- TBC-220 / 240
- TBC-250 / 2501 / 2510 / 265
- TBC-270PF/PN

TMC-200

Mini-Cultivator

This simple, easy to install attachment is ideal for quick garden / flower bed weeding and cultivation. For maximum depth, the TMC-200 can dig up to 4 inches into the ground and 6" wide.

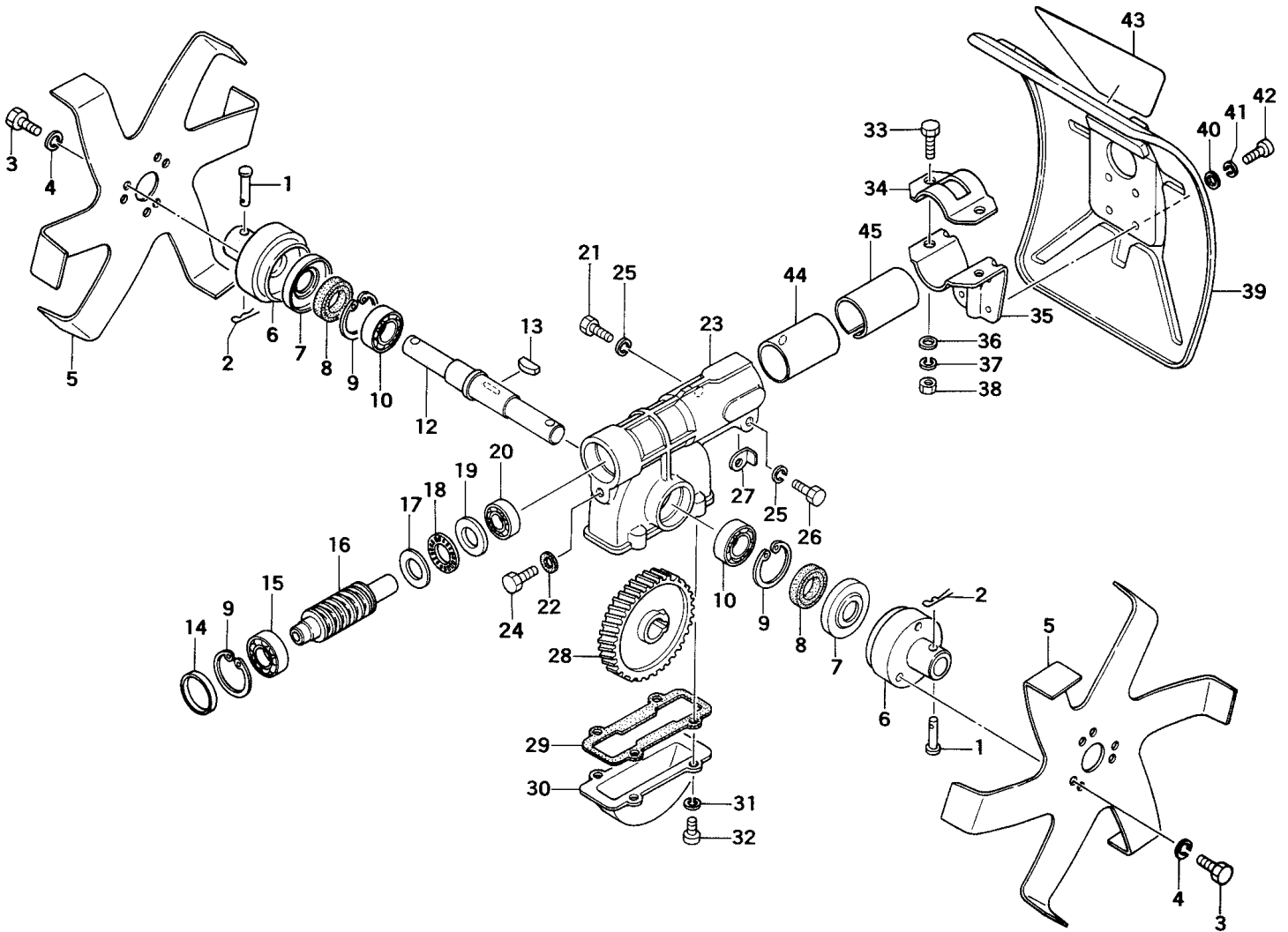
With a 49:1 reduction ratio, this heavy duty gear box gives you more tilling power.



To be used with the following Tanaka models:

- AST-7000 / 7000S / 210
- TBC-4500 / 4501 / 2211
- TBC-220 / 240
- TBC-250 / 2501 / 2510 / 265
- TBC-270PF/PN
- TBC-300 / 3010
- TBC-420PF

All data and specifications are subject to change without notice
For more information, contact:



ITEM	PART NUMBER	DESCRIPTION	QTY	COMMENTS
1	400-39907-200	PIN, LOCK	2	
2	ASP-100	PIN, SNAP, EBF/IBH	2	
3	990-21060-121	BOLT, 6X12	6	
4	992-10060-012	WASHER, S, 6	6	
5	820-39907-200	CUTTER	2	
6	310-39907-200	HOLDER, CUTTER	2	
7	307-39907-200	COVER, PROTECTION	2	
8	999-66152-863	SEAL, OIL, #15286	2	
9	993-51028-002	RING, STOP, IN, C-28	3	
10	999-61690-200	BEARING, BALL, #6902	2	
12	304-39907-200	SHAFT, DRIVE	1	
13	120-32201-200	KEY, WOOD-RUFF, 5X22X7X14	1	
14	322-39907-200	CAP, GEAR CASE	1	
15	999-61690-101	BEARING, BALL, #6901ZZ	1	
16	002-33130-200	SHAFT, WORM	1	
17	999-62122-669	WASHER, THRUST, 1226	1	
18	999-62122-668	BEARING, THRUST NEEDLE	1	
19	321-39907-200	WASHER, STEP	1	
20	999-61690-101	BEARING, BALL, #6901ZZ	1	
21	990-21060-121	BOLT, 6X12	2	
22	727-01040-201	GASKET, DRAIN	1	
23	300-39907-200	CASE, GEAR	1	
24	990-21060-121	BOLT, 6x12	1	
25	992-10060-012	WASHER, S, 6	2	
26	990-21060-251	BOLT, 6X25	1	
27	249-0630G-201	SPACER	1	
28	301-39909-200	WHEEL, GEAR	1	
29	318-39907-200	GASKET, GEAR CASE	1	
30	323-39907-200	COVER, GEAR CASE	1	
31	992-10050-012	WASHER, S, 5	4	
32	990-11050-101	SCREW, 5X10	4	
33	990-21060-181	BOLT, 6X18	2	
34	442-33671-201	BRACKET	1	
35	445-39907-200	HOLDER, SAFETY COVER	1	
36	992-00060-011	WASHER, SMALL, 6	2	
37	992-10060-012	WASHER, S, 6	2	
38	991-01060-011	NUT, 6	2	
39	441-39907-200	COVER, SAFETY	1	
40	992-01050-011	WASHER, 5	4	
41	992-10050-012	WASHER, S, 5	4	
42	990-11050-141	SCREW, 5X14	4	
43	906-39909-200	DECAL	1	
44	348-33130-20	COLLAR B	1	
45	294-39909-20	COLLAR	1	