

Tanaka Illustrated Parts Manual

Model Number:

TPS-2510

POLE SAW

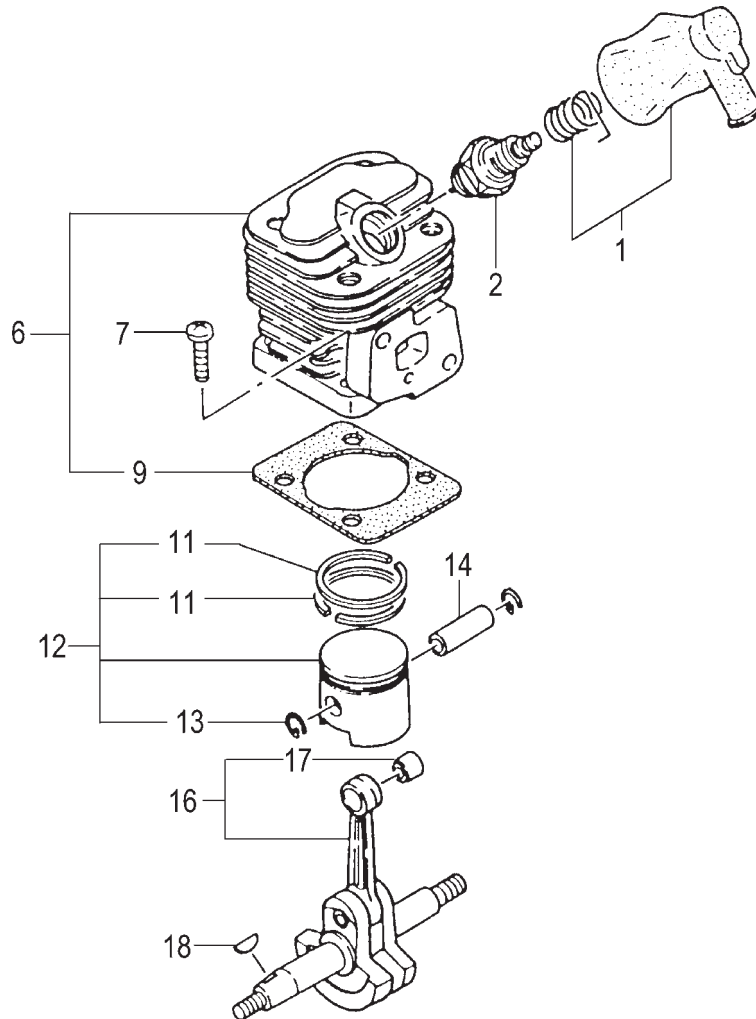
P/N 27130

Rev 001

Date 3-10-08

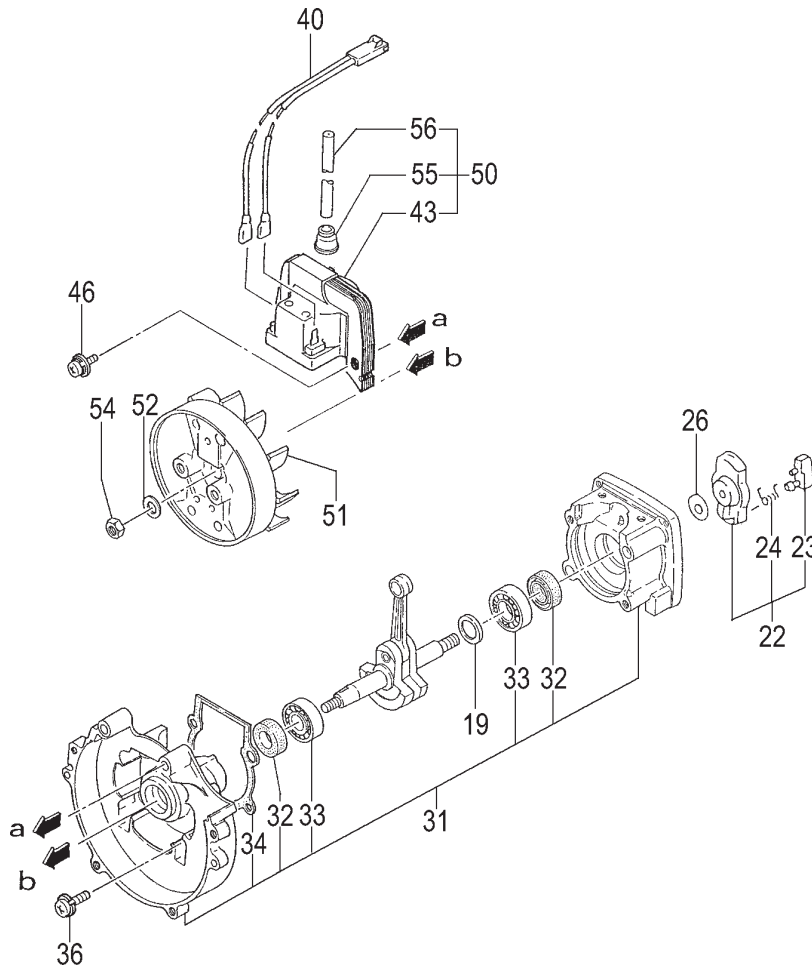


Nikko Tanaka Engineering U.S.A.,Ltd. • 1028 4th Street SW, Bldg B • Auburn, WA 98001 • Phone: (253) 333-1200 • Fax: (253) 333-1212

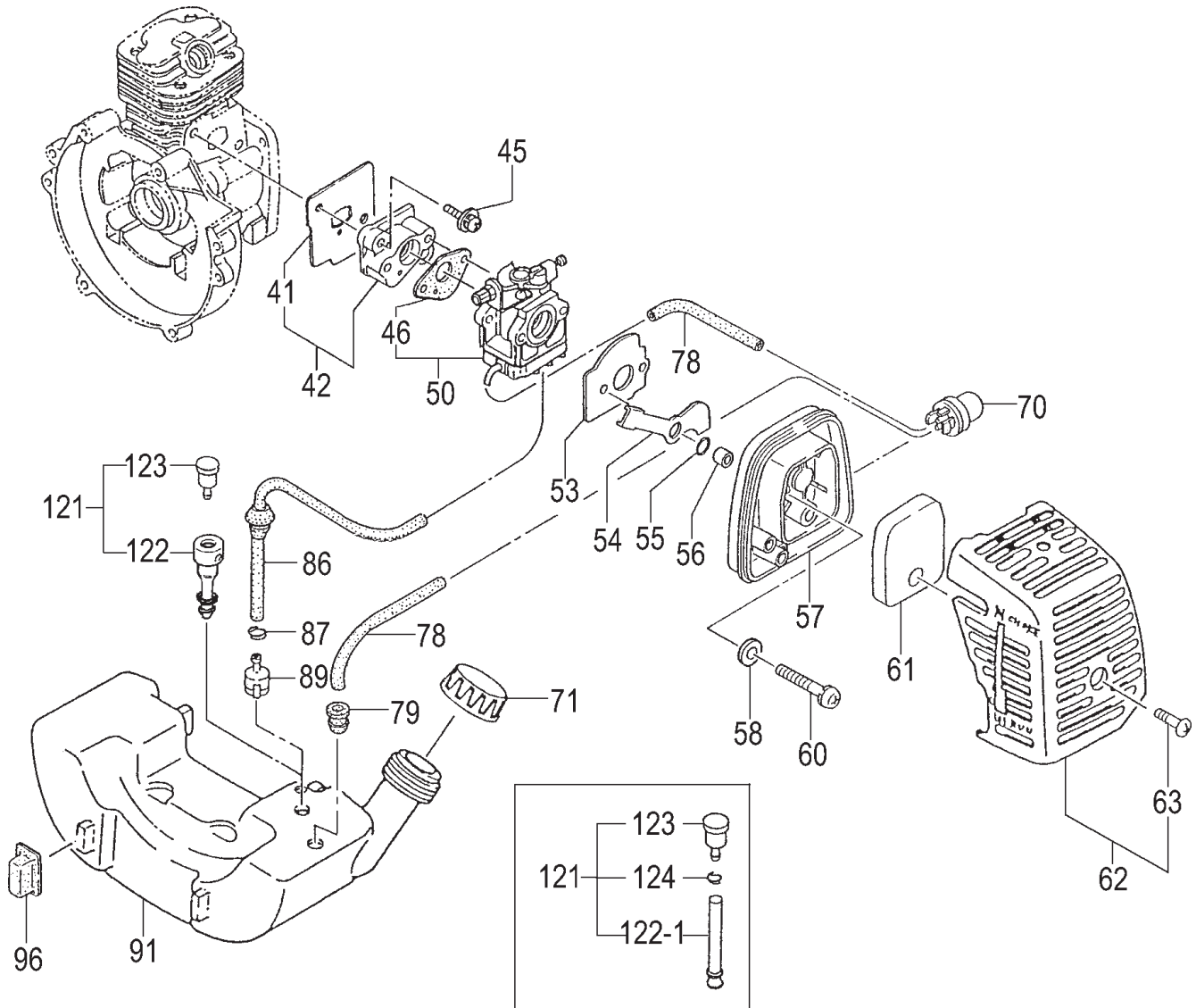


ITEM	PART NUMBER	DESCRIPTION	QTY	COMMENTS
1-1	1570097A900	CAP, SPARK PLUG, ASS'Y	1	
1-2	01802233200	PLUG, SPARK	1	
1-6	0010099F90	SET, CYLINDER	1	
1-7	99414050181	SCREW, S, 5X18	4	
1-9	01700980200	GASKET, CYLINDER	1	
1-11	04101601200	RING, PISTON	2	
1-12	0300099F90	SET, PISTON	1	
1-13	03901620200	CIRCLIP, PISTON PIN	2	
1-14	03701601200	PIN, PISTON	1	
1-16	0460631A81	CRANKSHAFT	1	
1-17	99962081225	BEARING, NEEDLE, F-810	1	
1-18	06810100200	KEY, WOODRUFF, 3X13X4.5	1	

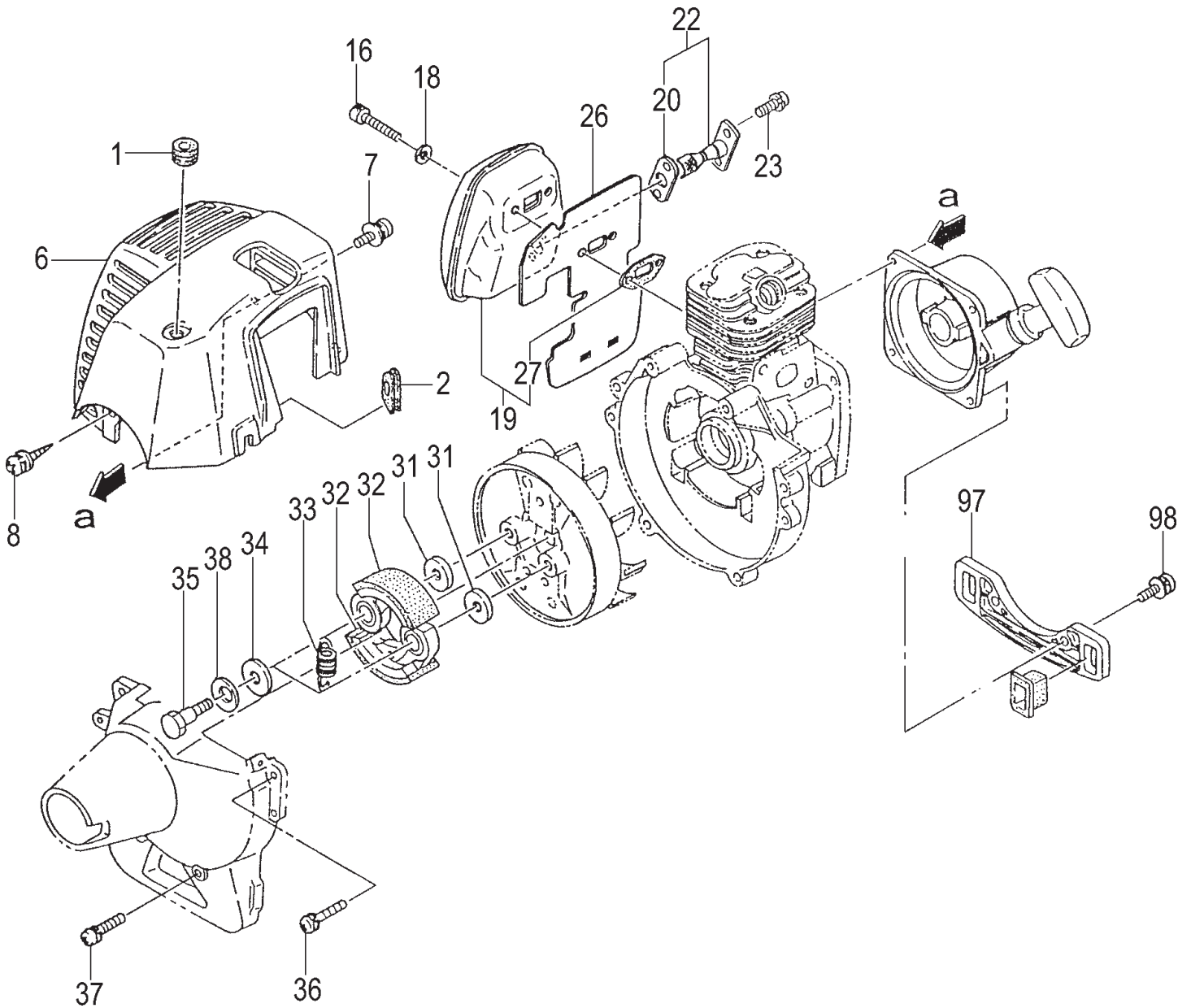
CRANKCASE, FLYWHEEL, IGNITION • FIGURE 2



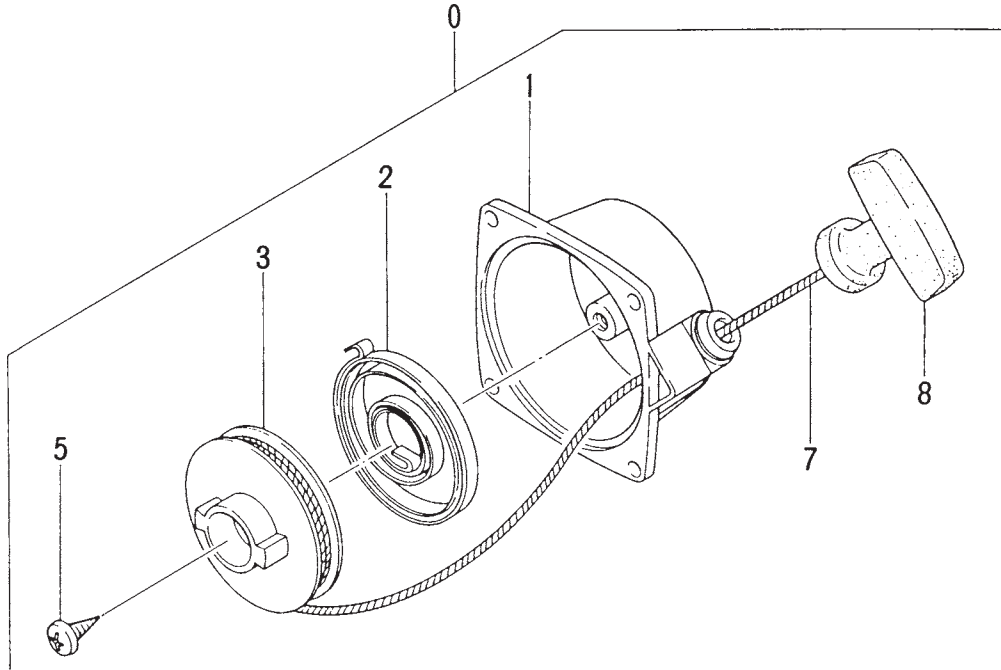
ITEM	PART NUMBER	DESCRIPTION	QTY	COMMENTS
2-19	33000200210	SHIM,12.2X19X.10	1	
2-19	33000200220	SHIM,12.2X19X.15	1	
2-19	33000200230	SHIM,12.2X19X.20	1	
2-19	33000200240	SHIM,12.2X19X.30	1	
2-22	79806500900	PULLEY,STARTER,ASS'Y	1	
2-23	7880650020	PAWL,STARTER	1	
2-24	79006097200	SPRING,STARTER PAWL	1	
2-26	35910112203	WASHER,CLUTCH B	1	
2-31	07200980900	CRANKCASE,ASS'Y	1	Includes seals, bearings and gasket
2-32	99966122206	SEAL,OIL,#TC12227	2	
2-33	99961600100	BEARING,BALL,#6001	2	
2-34	09006097200	GASKET,CRANKCASE	1	
2-36	99414050251	SCREW,5X25	4	
2-40	1910129G90	ASSY,LEAD WIRE	1	
2-46	99416050201	SCREW,5X20/WS	2	
2-50	1672052190	COIL,IGNITION	1	
2-51	1552050880	ROTOR,MAGNETO	1	
2-52	99201070011	WASHER,7	1	
2-54	06600000200	NUT,FLYWHEEL	1	
2-55	56020517200	CAP,RUBBER	1	
2-56	26420516200	LEAD,HIGH TENSION	1	



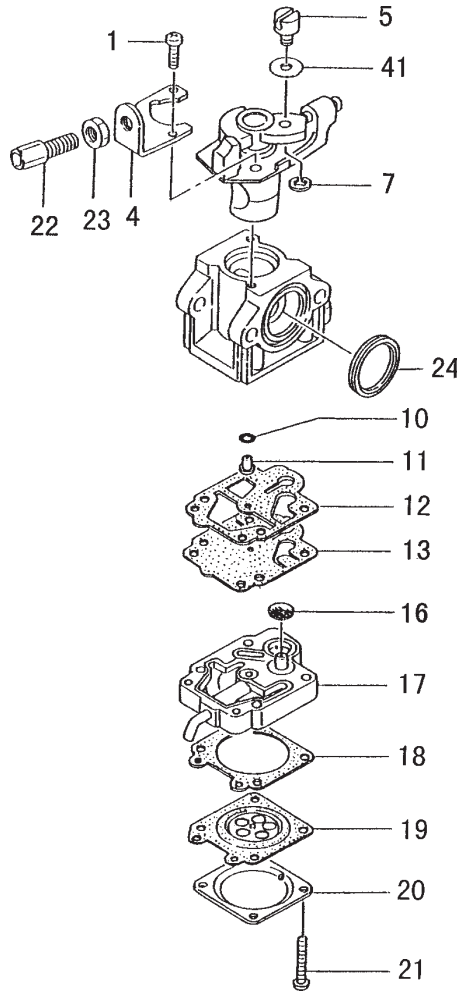
ITEM	PART NUMBER	DESCRIPTION	QTY	COMMENTS
3-41	4030631A20	GASKET,INLET MANIFOLD	1	
3-42	4040099F90	SET,CARB INSULATOR	1	
3-45	99416050221	SCREW,5X22/WS	2	
3-46	4020602K21	GASKET,CARBURETOR	1	
3-50	4550099M90	CARBURETOR,ASS'Y	1	
3-53	4360162V20	BASE,CLEANER	1	
3-54	52800980200	PLATE,CHOKE	1	
3-55	99967008012	O-RING,S-8	1	
3-56	4700602N200	COLLAR,CLEANER	1	
3-57	4230637C800	BODY,CLEANER	1	
3-58	99200050011	WASHER,SMALL,5	2	
3-60	99414050571	SCREW,5X57,S	2	
3-61	4460637C200	ELEMENT,CLEANER	1	
3-62	0510099F90	SET,CLEANER COVER	1	
3-63	3800637C200	BOLT,CLEANER COVER	1	
3-70	44225143800	PUMP,PRIMING ASS'Y	1	
3-71	5950656B90	CAP,FUEL BLACK,NON VENT	1	
3-78	7000250408	PIPE,FUEL,2.5x4x80	2	
3-79	53432710200	GROMMET,FUEL PIPE	1	
3-86	2230162V900	PIPE,FUEL,ASS'Y	1	
3-87	68000731201	CLIP 6.3	1	
3-89	6750404280	FILTER,FUEL	1	
3-91	5910099520	TANK,FUEL	1	
3-96	65500940201	CUSHION,FUEL TANK	4	
3-121	5640661190	VENT,AIR ASS'Y	1	
3-122	5650503220	PIPE,AIR VENT	1	~V095519
3-122	5650441020	PIPE,AIR VENT	1	V095520~
3-123	6460661290	VALVE	1	
3-124	68000731201	CLIP 6.3	1	~V095519



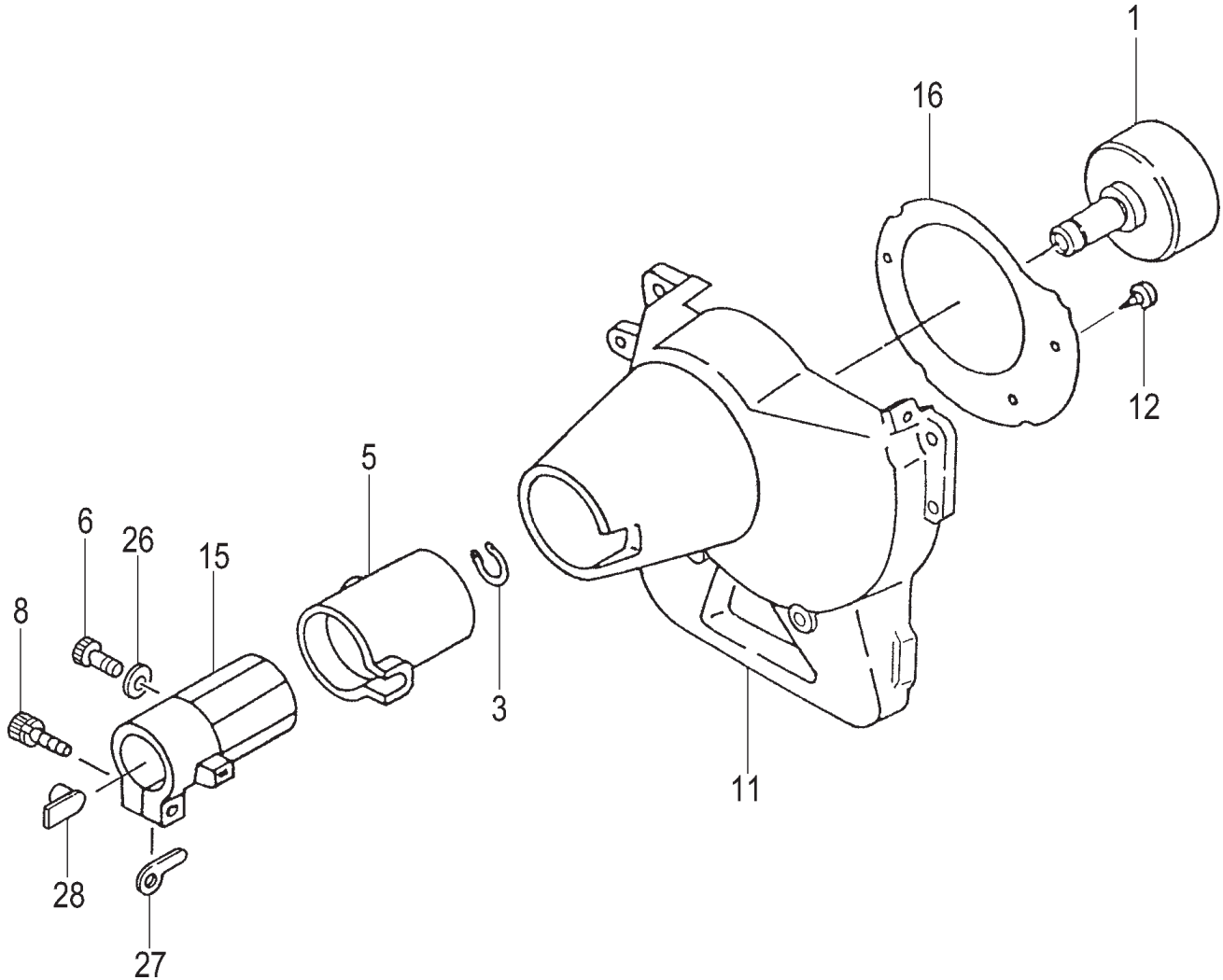
ITEM	PART NUMBER	DESCRIPTION	QTY	COMMENTS
4-1	20201003201	GROMMET,SECONDARY CORD	1	
4-2	2030631A200	GROMMET	1	
4-6	7380631A201	PROTECTOR,MUFFLER	1	
4-7	99415040222	SCREW,PS,4X22	2	
4-8	99072045164	SCREW,TAPPING,4.5X16	2	
4-16	99051050503	BOLT,HEX,5X50	2	
4-18	99201050011	WASHER,5	2	
4-19	7040637C90	SET,MUFFLER	1	
4-20	75104200201	GASKET,MUFFLER	1	
4-22	7210659090	PIPE,TAIL	1	
4-23	99434040081	SCREW,4X8/S	2	
4-26	1330631A201	SHIELD,HEAT	1	
4-27	7370610021	GASKET,MUFFLER	1	
4-31	35902103200	WASHER,CLUTCH,B	2	
4-32	29001620800	SHOE,CLUTCH	2	
4-33	3420630B200	SPRING,CLUTCH	1	
4-34	3480602R200	WASHER,CLUTCH A	2	
4-35	3570075T200	BOLT,STEP	2	
4-36	99416050202	SCREW,5X20/WS	2	
4-37	99416050422	SCREW,5X42/WS	2	
4-38	99205080030	WASHER,8	2	
4-97	6530631A200	BRACKET,TANK	1	
4-98	99415040222	SCREW,PS,4X22	2	



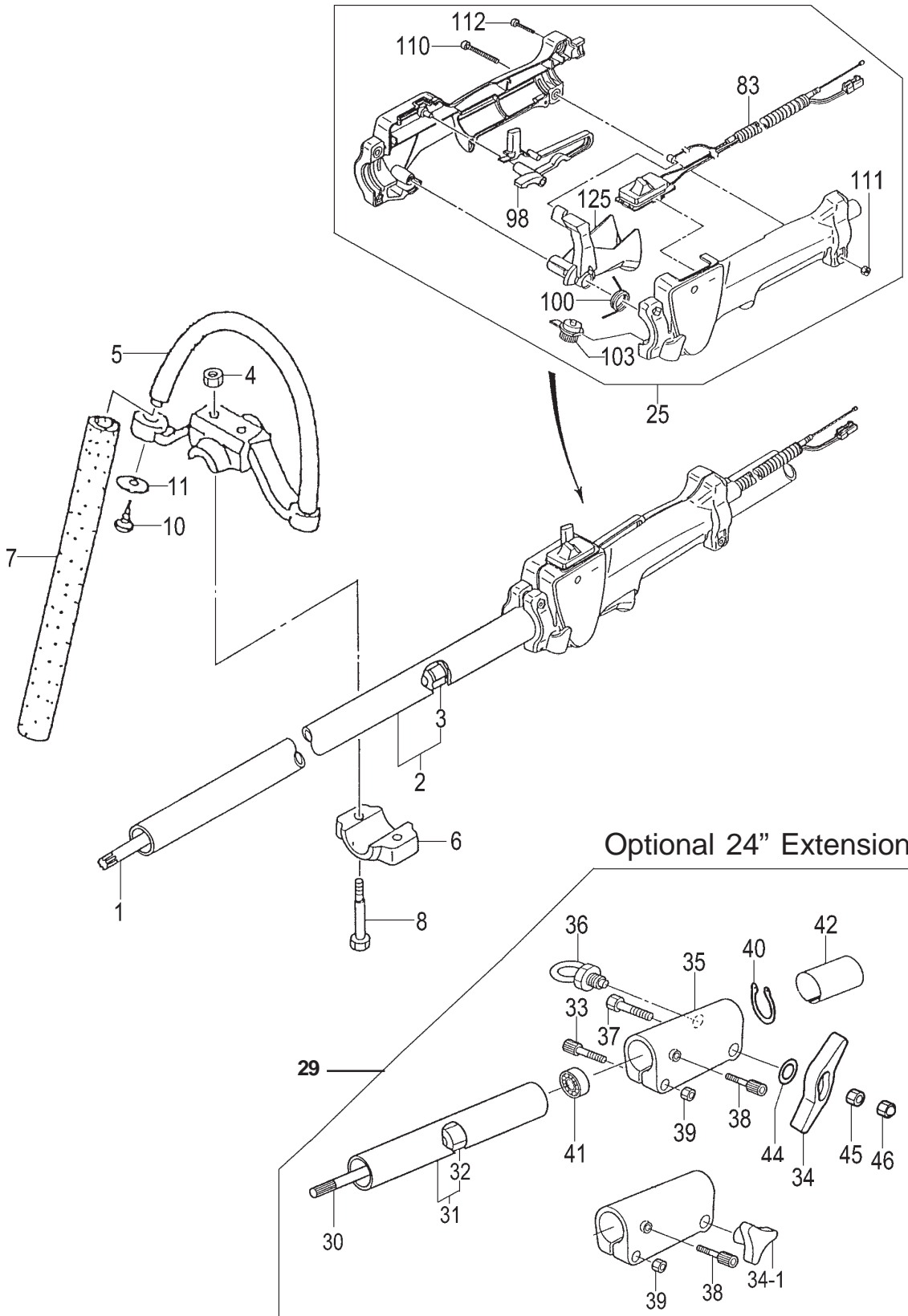
ITEM	PART NUMBER	DESCRIPTION	QTY	COMMENTS
5-0	76206097902	STARTER,RECOIL ASS'Y	1	
5-1	7720609700	SET,STARTER BODY	1	
5-2	78006097200	SPRING,RECOIL	1	
5-3	77406097200	PULLEY,STARTER	1	
5-5	8390201020	SCREW,SET	1	
5-7	78306097200	ROPE,STARTER	1	
5-8	78506097200	HANDLE,STARTER	1	



ITEM	PART NUMBER	DESCRIPTION	QTY	COMMENTS
	4550099M90	CARBURETOR,ASS'Y	1	
6-1	51425001200	SCREW,SET	2	
6-4	54425164200	STAY,ADJUST,CABLE	1	
6-5	53925120200	SWIVEL	1	Carburetor Repair Kit - 650-25124-900
6-7	48925100200	RING,STOP	1	Gasket/Diaphragm Kit - 652-25124-900
6-10	55025100200	O-RING	1	
6-11	5992000W430	JET,MAIN,#43	1	
6-12	~ ~ ~	GASKET,PUMP	1	~ Contained in Carb Kits
6-13	~ ~ ~	DIAPHRAGM,PUMP	1	
6-16	57825007200	SCREEN,INLET	1	
6-17	5752514780	BODY,PUMP ASS'Y	1	
6-18	~ ~ ~	GASKET,DIAPHRAGM	1	
6-19	~ ~ ~	DIAPHRAGM,METERING	1	
6-20	47625004200	COVER,DIAPHRAGM	1	
6-21	54825101200	SCREW,SET	4	
6-22	61425137200	ADJUSTER,CABLE	1	
6-23	99101060013	NUT,6	1	
6-24	4310634C200	GASKET,CLEANER	1	
6-41	5492516520	WASHER,THRUST	1	

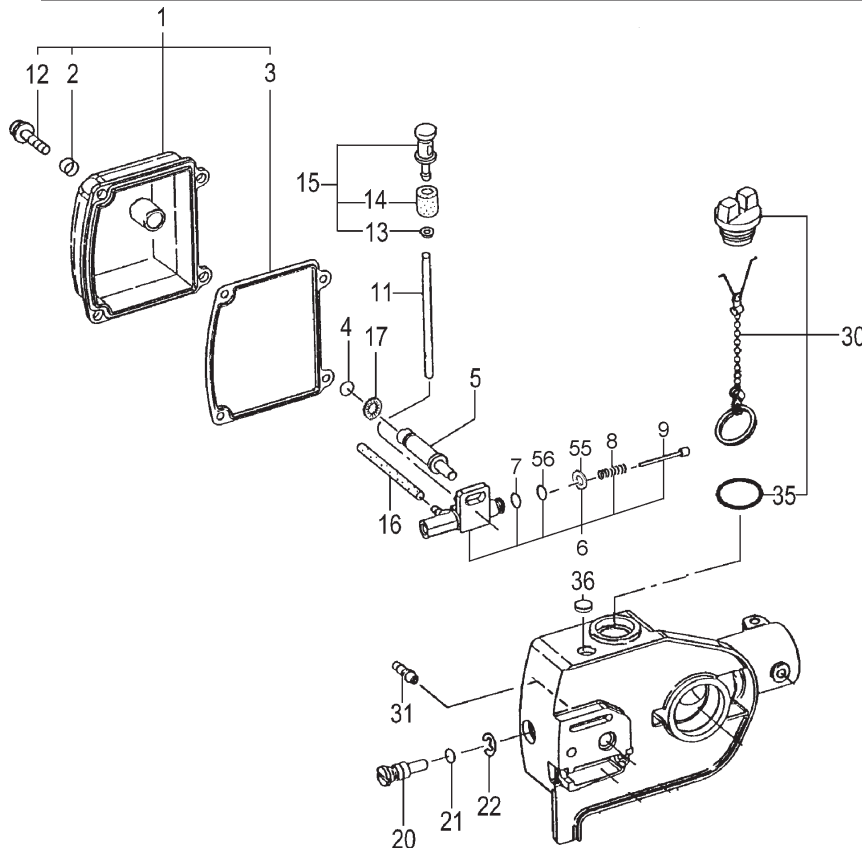


ITEM	PART NUMBER	DESCRIPTION	QTY	COMMENTS
7-1	2890098080	DRUM,CLUTCH	1	
7-3	99350012002	RING,STOP,C-12 EX	1	
7-5	5990098021	CUSHION,RUBBER	1	
7-6	99051050163	BOLT,HEX,5X16	1	
7-8	99461050254	BOLT,HEX HOLE,5X25S	1	
7-11	1120098081	CASE,FAN	1	
7-12	99072045164	SCREW,TAPPING,4.5X16	3	
7-15	3600099020	HOLDER,PIPE	1	
7-16	0910098020	SHIELD,HEAT	1	
7-26	99201050061	WASHER,5	1	
7-27	3243735020	WASHER,GEAR CASE	1	
7-28	3610099020	FITTING,METAL	1	



THROTTLE LEVER, HANDLE, DRIVE SHAFT • FIGURE 8

ITEM	PART NUMBER	DESCRIPTION	QTY	COMMENTS
8-1	3433230420	SHAFT,DRIVE	1	
8-2	3413230480	PIPE,DRIVE SHAFT	1	
8-3	34737601900	BUSHING	6	
8-4	99101060041	NUT,6	2	
8-5	5003728620	HANDLE	1	
8-6	50637300200	BRACKET,HANDLE,A	1	
8-7	5033738E20	GRIP,HANDLE	1	
8-8	99023060351	BOLT,6X35 PLUS	2	
8-10	99311052012	SCREW,TAPPING 5X20	1	
8-11	36832350200	WASHER,BRAKE SHAFT	1	
8-25	8703840090	LEVER,THROTTLE ASSY	1	
8-29	748511	24" EXTENSION	1	
8-30	3433233180	SHAFT,DRIVE	1	
8-31	3413233180	PIPE,DRIVE SHAFT	1	
8-32	34737601900	BUSHING	1	
8-33	99461050254	BOLT,HEX HOLE,5X25S	1	
8-34,1	5123370081	KNOB,HANDLE	1	~V021700
8-34	5123338P20	KNOB,HANDLE	1	V021701~
8-35	2803233120	CASE,JOINT	1	
8-36	3523233180	PIN,LOCK	1	
8-37	99021060351	BOLT,6X35	1	~V021700
8-37	99021060504	BOLT,6X50	1	V021701~
8-38	99051050103	BOLT,HEX.HOLE,5X10	1	
8-39	99101050041	NUT,5	1	
8-40	99350010002	RING,STOP,C-10 EX	1	
8-41	99961690001	BEARING,BALL,#6900ZZ	1	
8-42	34833130200	COLLAR,B	1	
8-44	35902103200	WASHER,CLUTCH,B	1	V021701~
8-45	99101060011	NUT,6	1	V021701~
8-46	99142060012	NUT,CAP 6	1	V021701~
8-83	8853840080	WIRE,THROTTLE W/SWITCH	1	
8-98	2533840020	LEVER,SAFETY	1	
8-100	8323840020	SPRING,RETURN	1	
8-103	8813840080	STOPPER,THROTTLE	1	
8-110	99431050203	SCREW 5X20	2	
8-111	99101050043	NUT,5	2	
8-112	9934604020	SCREW, 4X20	4	
8-125	8803840020	LEVER,THROTTLE	1	

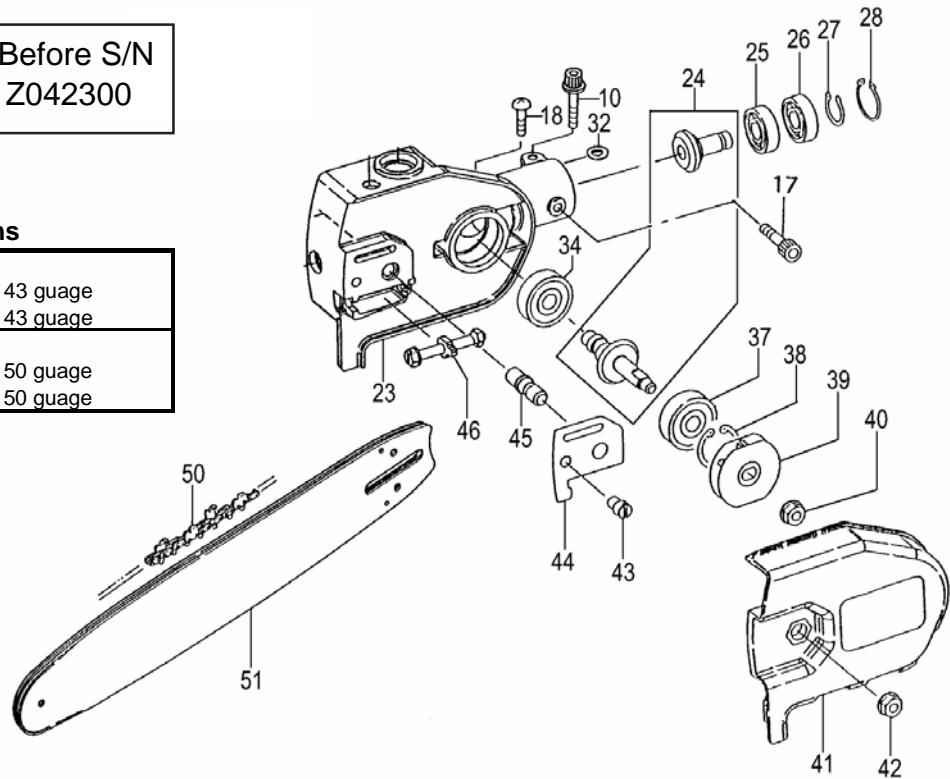


ITEM	PART NUMBER	DESCRIPTION	QTY	COMMENTS
9-1	0413230400	OIL TANK COVER SET	1	
9-2	0313230420	COLLAR 3	4	
9-3	4223230421	GASKET,OIL TANK	1	
9-4	99967005000	O-RING,P5	1	
9-5	3823230420	BOLT,STEP,A	1	
9-6	1443230490	OIL PUMP ASSY	1	
9-7	99967005000	O-RING,P5	1	
9-8	4493230420	SPRING,OIL PUMP	1	
9-9	0733230481	PISTON,OIL PUMP	1	
9-11	7005300506	PIPE,FUEL 3X5X60	1	
9-12	99416040121	SCREW,4X12	4	
9-13	99201050011	WASHER,5	1	
9-14	48732712201	FILTER,OIL	1	
9-15	4863234590	FILTER ASSY,FINE MESH	1	
9-16	7005300507	PIPE,FUEL 3X5X75	1	
9-17	9923008000	NUT,PUSH	1	Y161651~
9-20	5013230421	ADJUSTER,OIL PUMP	1	
9-21	99967005000	O-RING,P5	1	
9-22	99355060001	RING,STOP,6	1	
9-30	6243230492	CAP,OIL TANK	1	
9-31	0823230420	BANJO,OIL PUMP	1	
9-35	99967015000	O-RING,P15	1	
9-36	5660406320	COVER,AIR VENT	1	~U231876
9-55	99201020011	WASHER,2	1	V196951~
9-56	99967001413	O-RING	1	V196951~

Before S/N
Z042300

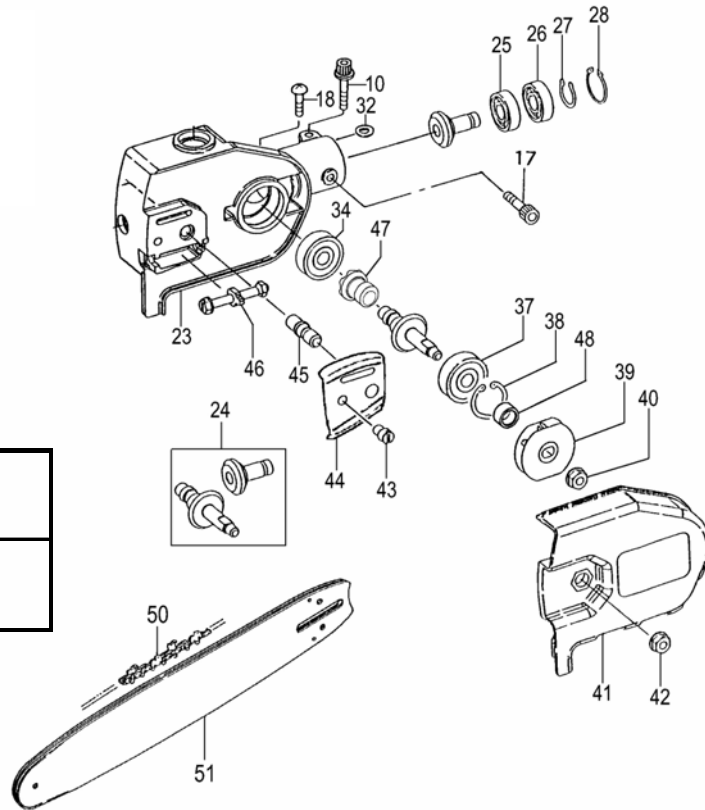
Bar & Chain Options

N/A	10" Bar & Chain Kit	
110.32304.20	10" Bar	43 gauge
127.32304.20	10" Chain	43 gauge
Part No 844001	12" Bar & Chain Kit	
120SDEA041	12" Bar	50 gauge
91VG045X	12" Chain	50 gauge



ITEM	PART NUMBER	DESCRIPTION	QTY	COMMENTS
10-10	99461050224	BOLT, HEX HOLE 5x22/S	1	
10-17	99051050103	BOLT, HEX.HOLE, 5X10	1	
10-18	99011060061	SCREW, 6X6	1	~V095519
10-18	99431060081	SCREW, 6X8	1	V095520~
10-23	0193230420	CASE, GEAR	1	~U231876
10-23	0193230422	CASE, GEAR	1	U231877~
10-24	3013230400	SET, GEAR, PINION	1	
10-25	99961609000	BEARING, BALL, #609	1	
10-26	99961609002	BEARING, BALL, #609Z	1	
10-27	99350009002	RING, STOP, C9	1	
10-28	99351024002	RING, STOP, C-24, IN	1	
10-32	78600601200	WASHER, RECOIL STARTER	1	
10-34	99961608000	BEARING, BALL, #608	1	
10-37	99961638002	BEARING, BALL 638Z	1	
10-38	99351028002	RING, STOP, IN, C-28	1	
10-39	3193230480	SPROCKET, 3/8	1	
10-40	99182060001	NUT, FLANGE, 6	1	
10-41	0393230480	COVER, SIDE	1	
10-42	12132600200	NUT, CLAMP, BAR	1	
10-43	1223230420	PIN, KNOCK, GUIDE BAR	1	
10-44	4613230420	PLATE, GUIDE	1	
10-45	1013230420	BOLT, GUIDE BAR	1	
10-46	1163230490	TENSIONER, CHAIN	1	
10-50	1273230420	CHAIN, 10"	1	
10-51	1103230420	BAR, 10"	1	

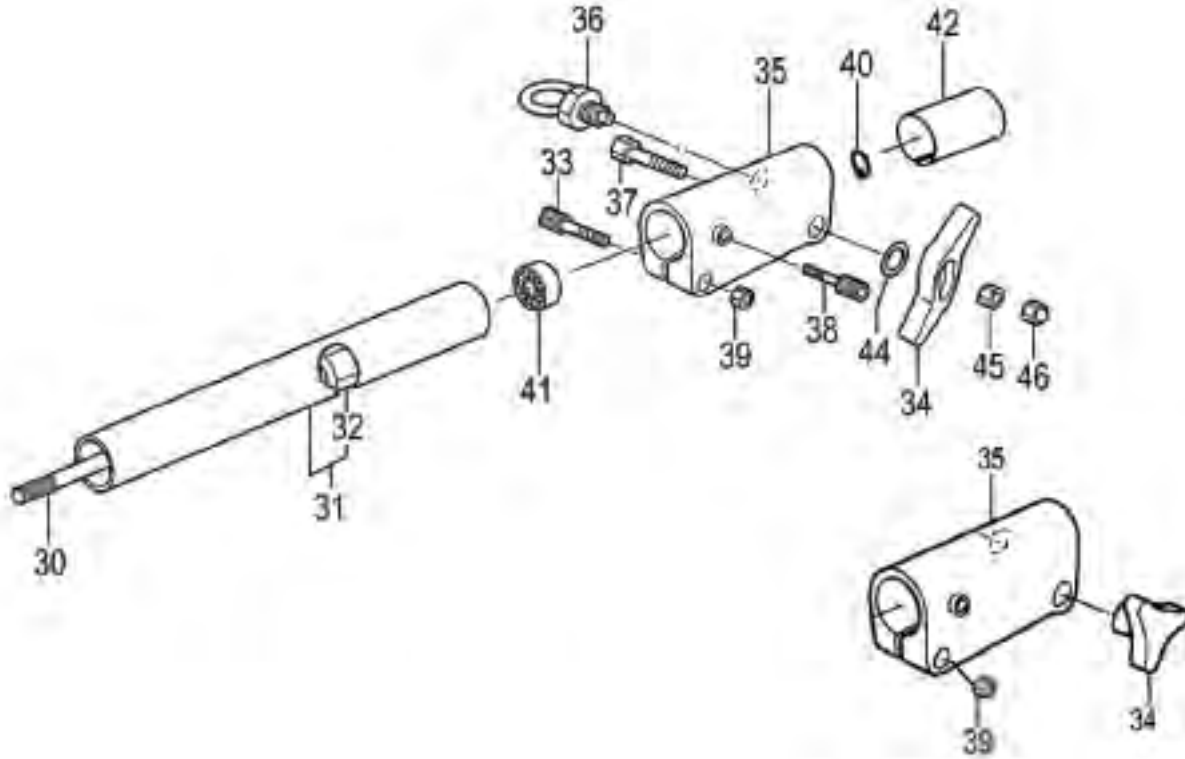
After Serial Number
Z042301



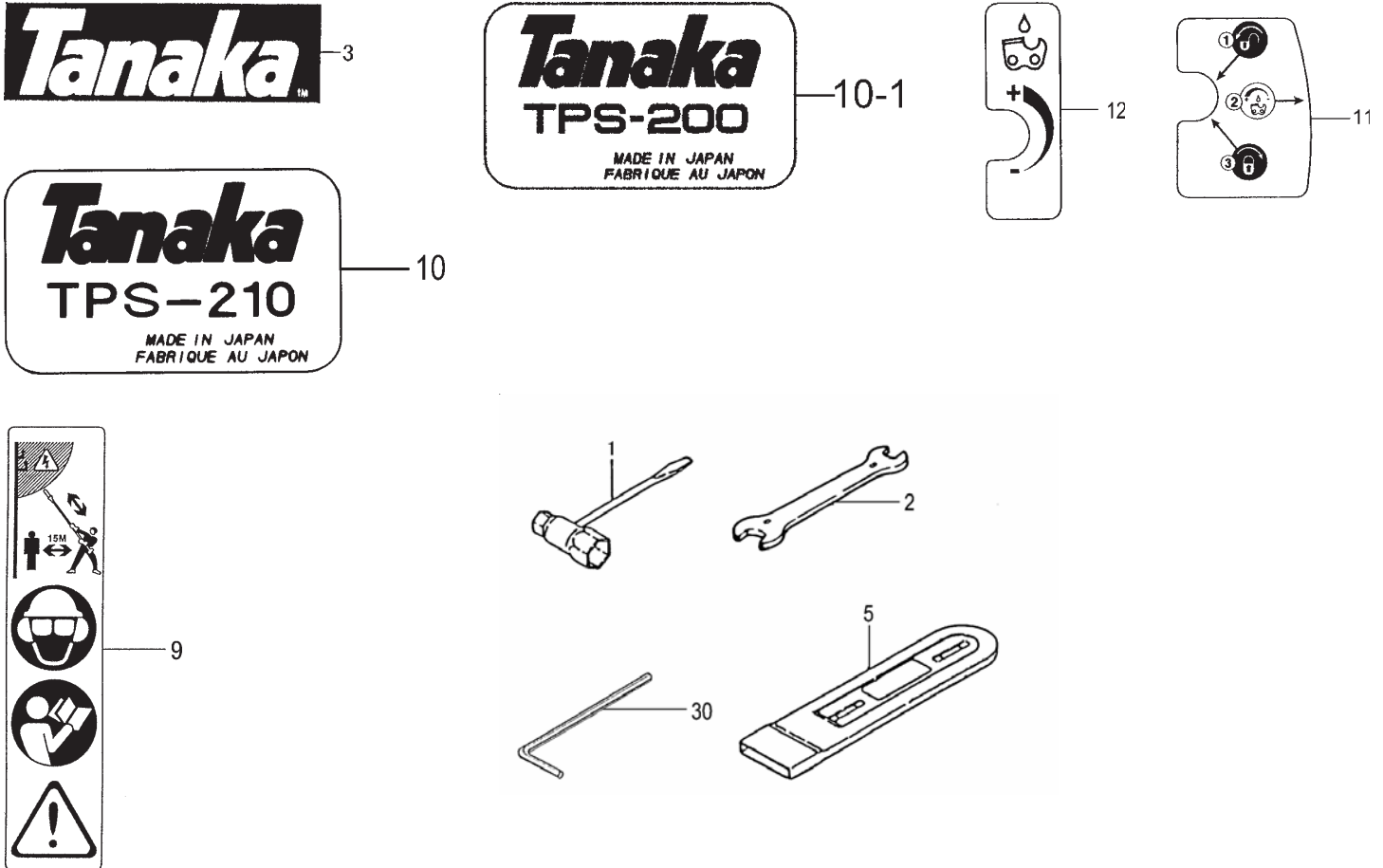
Bar & Chain Options

N/A	10" Bar & Chain Kit	
110.32304.20	10" Bar	43 guage
127.32304.20	10" Chain	43 guage
Part No 844001	12" Bar & Chain Kit	
120SDEA041	12" Bar	50 guage
91VG045X	12" Chain	50 guage

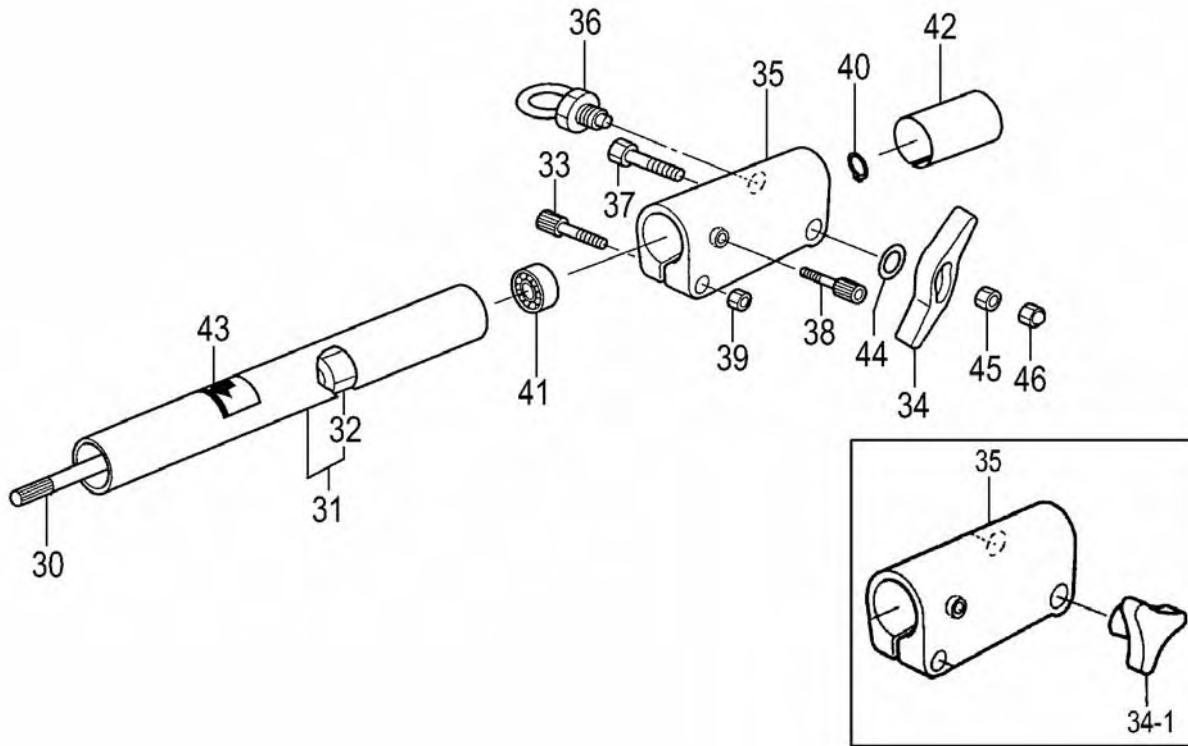
ITEM	PART NUMBER	DESCRIPTION	QTY	COMMENTS
11-10	99461050224	BOLT,HEX HOLE 5x22/S	1	
11-17	99051050103	BOLT,HEX.HOLE,5X10	1	
11-18	99431060081	SCREW,6X8	1	
11-23	0193230422	CASE,GEAR	1	
11-24	3013234400	GEAR & PINION SET	1	
11-25	99961609000	BEARING,BALL,#609	1	
11-26	99961609002	BEARING,BALL,#609Z	1	
11-27	99350009002	RING,STOP,C9	1	
11-28	99351024002	RING,STOP,C-24,IN	1	
11-32	78600601200	WASHER,RECOIL STARTER	1	
11-34	99961627000	BEARING,BALL	1	
11-37	99961638002	BEARING,BALL 638Z	1	
11-38	99351028002	RING,STOP,IN,C-28	1	
11-39	3193230480	SPROCKET,3/8	1	
11-40	99182060001	NUT,FLANGE,6	1	
11-41	0393230480	COVER,SIDE	1	
11-42	12132600200	NUT,CLAMP,BAR	1	
11-43	1223234421	KNOCK PIN	1	
11-44	4613234420	PLATE,GUIDE	1	
11-45	1013234421	BOLT,CHAIN TIGHTENING	1	
11-46	1163230490	TENSIONER,CHAIN	1	
11-47	4523234420	CAM	1	
11-48	0313234420	COLLAR	1	
11-50	1273230420	CHAIN,10"	1	
11-51	1103230420	BAR,10"	1	



ITEM	PART NUMBER	DESCRIPTION	QTY	COMMENTS
12-30	3433233180	SHAFT,DRIVE	1	
12-31	3413233180	PIPE,DRIVE SHAFT	1	
12-32	34737601900	BUSHING	1	
12-33	99461050254	BOLT,HEX HOLE,5X25S	1	
12-34	5123370081	KNOB,HANDLE	1	Before S/N V021700
12-34	5123338P20	KNOB,HANDLE	1	S/N V021701 and after
12-35	2803233120	CASE,JOINT	1	
12-36	3523233180	PIN,LOCK	1	
12-37	99021060351	BOLT,6X35	1	Before S/N V021700
12-37	99021060501	BOLT,6X50	1	S/N V021701 and after
12-38	99051050103	BOLT,HEX.HOLE,5X10	1	
12-39	99101050041	NUT,5	1	
12-40	99350010002	RING,STOP,C-10 EX	1	
12-41	99961690001	BEARING,BALL,#6900ZZ	1	
12-42	34833130200	COLLAR,B	1	
12-44	35902103200	WASHER,CLUTCH,B	1	S/N V021701 and after
12-45	99101060011	NUT,6	1	S/N V021701 and after
12-46	99143060023	NUT,6	1	S/N V021701 and after



ITEM	PART NUMBER	DESCRIPTION	QTY	COMMENTS
13-1	88332600200	SPANNER,COMBO	1	
13-2	80120000200	SPANNER,8X10	1	V095520~
13-3	91505015200	DECAL,SYMBOL	1	
13-5	9413233320	COVER,BAR,10",BLACK	1	
13-9	9073230420	DECAL	1	
13-10	9293249820	DECAL,TPS-210	1	Z042301~
13-10-1	9293233120	DECAL,SYMBOL,TPS-200	1	~Z042300
13-11	9223234520	DECAL,OIL ADJUSTMENT	1	
13-12	9213234520	DECAL,OIL	1	
13-30	81320000200	WRENCH,HEX,4	1	



ITEM	PART NUMBER	DESCRIPTION	24"	36"	COMMENTS
14-30	3433233180	SHAFT,DRIVE	1		
14-30	3433003980	SHAFT,DRIVE		1	
14-31	3413230881	PIPE,DRIVE SHAFT	1		~9085369
14-31	3413230882	PIPE,DRIVE SHAFT	1		9085370~
14-31	3413003980	PIPE,DRIVE SHAFT		1	
14-32	3473730090	BUSHING ASSY	1		
14-32	3473730090	BUSHING ASSY		2	
14-33	99461050254	BOLT,HEX HOLE,5X25S	1	1	
14-34-1	5123370081	KNOB,HANDLE	1		~5004220
14-34	5123338P20	KNOB,HANDLE	1	1	5004221~
14-35	2803233122	COUPLING,TPS	1	1	
14-36	3523233180	PIN,LOCK	1	1	
14-37	99021060351	BOLT,6X35	1		~5004220
14-37	99021060504	BOLT,6X50	1	1	5004221~
14-38	99051050103	BOLT,HEX.HOLE,5X10	1	1	
14-39	99101050041	NUT,5	1	1	
14-40	99350010002	RING,STOP,C-10 EX	1	1	
14-41	99961690001	BEARING,BALL,#6900ZZ	1	1	
14-42	3483313020	COLLAR,B	1	1	
14-43	92337400200	DECAL,LEVEL	1	1	
14-44	3590210320	WASHER,CLUTCH,B	1	1	
14-45	99101060011	NUT,6	1	1	5004221~
14-46	99142060012	NUT,CAP 6	1	1	5004221~